



**SERVICE INFORMATION LETTER**

**TO** : All S76 C+ Operators  
**FROM** : FDCaerofilter Engineering  
**NUMBER** : SIL.FDC.S76.0005  
**EFFECTIVE** : All S76 C+ Helicopters Modified IAW STC SR0616SE  
**REF** : FDC 1076-INST-1  
**REF** : SAC MM Chapter 31-60-00  
**DATE** : Friday, October 12, 2007

---

**ALTERNATE WIRING - 1076-INST-1**

Dear Operator

The FDC installation instructions, ref 1076-INST-1 Page 43, section 5.6(c) instructs the connection of wire P745RJ3 to Pin # 9.

Pin # 9 may already be occupied by other option and / or system equipment.

In this case, any of the open available pins may be used

- from # 4 through # 6
- from # 9 through # 19
- from # 23 through # 25.

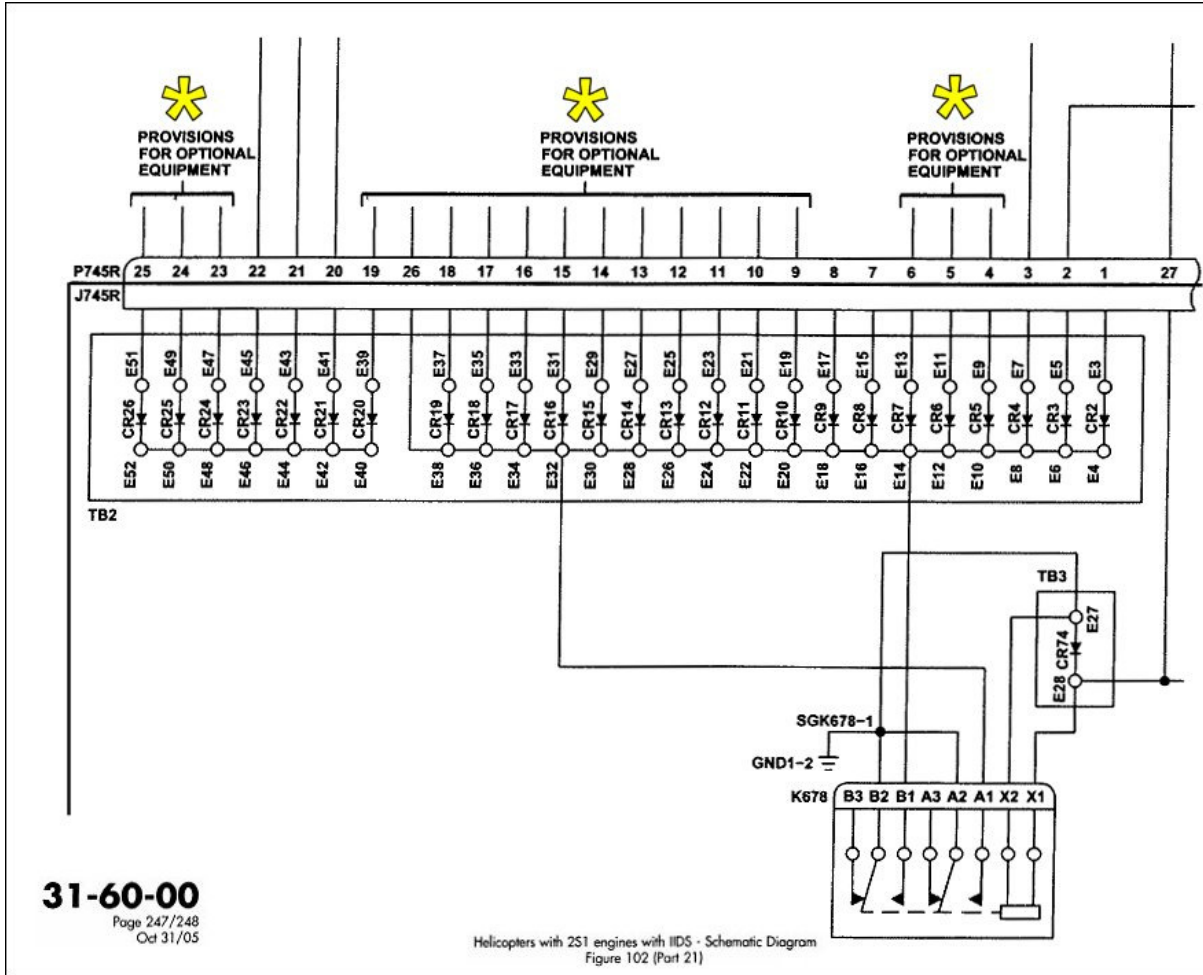
A copy of this Service Letter should be attached to the FDC drawing , with the Pin # used, marked on page 2 of this SIL.

The installation instructions & drawing will be updated at the next revision.

FDC Engineering

**Russell Goulden**  
**Vice President**

Ref : Layout from Sikorsky S76 MM



Wire P745RJ3 attached to Pin # ....  
Aircraft Serial Number .....